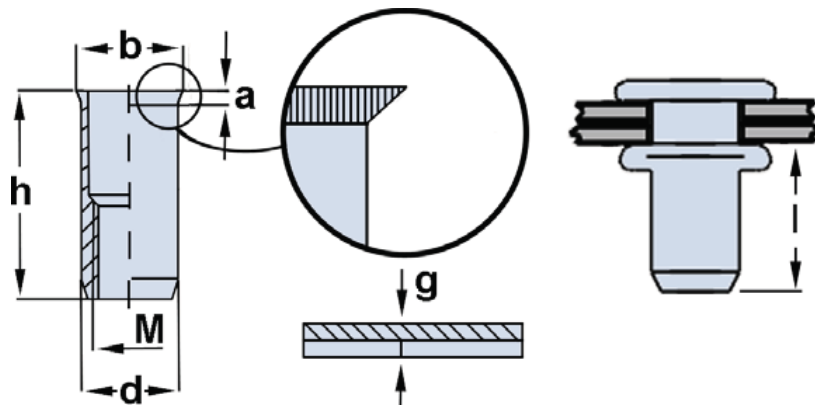




## Blindnietmutter [SO-A2] -

### Senkkopf offen, Aluminium gerändelt unter Kopf

- Aluminium blank
- Die Oberfläche ist RoHs konform
- Sonderabmessungen auf Anfrage



| Bezeichnung          | Gewinde<br>M | d    | Ø b | a   | Bohrung | Blechdicke<br>(g)      | l           | h            |
|----------------------|--------------|------|-----|-----|---------|------------------------|-------------|--------------|
| M3 TS-C<br>M3 TS-L   | M3           | 4,9  | 8   | 1,5 | 5       | 2,0 – 3,0<br>3,0 – 4,0 | 4,7 – 5,3   | 9,5<br>10,5  |
| M4 TS-C<br>M4TS-L    | M4           | 5,9  | 9   | 1,5 | 6       | 2,0 – 3,5<br>3,5 – 5,0 | 5,8 – 6,3   | 11,0<br>13,0 |
| M5 TS-C<br>M5 TS-L   | M5           | 6,9  | 10  | 1,5 | 7       | 2,5 – 4,0<br>4,0 – 6,0 | 6,8 – 7,3   | 13,0<br>15,0 |
| M6 TS-C<br>M6 TS-L   | M6           | 8,9  | 12  | 1,5 | 9       | 2,5 – 4,0<br>4,0 – 6,0 | 8,5 – 9,2   | 15,0<br>17,0 |
| M8 TS-C<br>M8 TS-L   | M8           | 10,9 | 14  | 1,5 | 11      | 2,5 – 4,0<br>4,0 – 6,0 | 9,5 – 10,4  | 16,5<br>19,0 |
| M10 TS-C<br>M10 TS-L | M10          | 11,9 | 15  | 1,5 | 12      | 2,5 – 4,0<br>4,0 – 6,0 | 11,0 – 12,0 | 18,0<br>20,5 |

Maße in mm